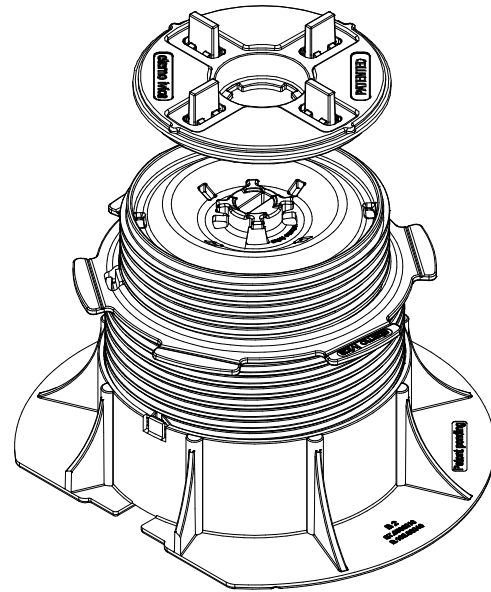
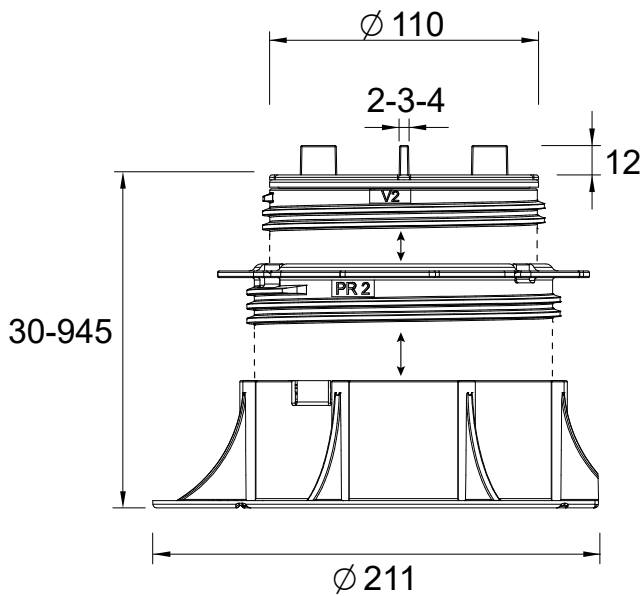


# TECHNICAL DATA SHEET

## PEDESTAL PRIME



### TECHNICAL SPECIFICATION:

Supply and installation of supports for raised floors type "PEDESTAL PRIME", adjustable in height, equipped with bi-material tilting self-levelling head, with anti-noise and anti-slip rubber finish. The supports are composed of 3 polypropylene elements consisting of: a specially shaped base with a diameter of 211mm and a minimum width on the profiled side of 187.5mm, a first screw having both external and internal threads; and a second screw which has a hemispherical zone in the upper part. All these elements are equipped with an anti-screwing safety lock. The height varies between 30mm up to 945mm. The head is equipped with N°4 spacer tabs with a thickness of either 2, 3, or 4mm and a height of 12mm easily removable if necessary. In the pre-cut base there are holes for the outflow of water and N°3 grooves to facilitate the cutting if needed. The height adjustment is carried out using the tailored adjustment key, which acts on the screw independently from both the head and the base. It is possible to increase the height of the supports by using the PPR extension.

### CHARACTERISTICS:

- Double height adjustment
- Bi-component self levelling head (PP and rubber)
- Slope compensation from 0% to 5%
- Tailored key for height adjustment
- Easy removable tabs
- Anti-screwing safety lock
- Base designed for quick insertion of the vertical infill clip

### RAW MATERIAL:

Polypropylene and rubber (head top finishing)

### ENVIRONMENTAL IMPACT:

recyclable material - not dangerous

### APPLICATIONS SURFACES:

- On any waterproofing membrane
- On any insulating hard panel
- On any compact and solid surface

### APPLICATIONS AREA:

Can be used with any prefabricated self supporting element for outdoor flooring, with a minimum thickness of 15mm

### GENERAL CHARACTERISTICS & PROPERTIES

	UNIT	VALUE	TOLERANCE +/-
<b>BASE DIAMETER</b>	mm	211	+/- 1.0
<b>BASE THICKNESS</b>	mm	5	+/- 0.2
<b>HEAD DIAMETER</b>	mm	110-130-150	+/- 0.8
<b>SURFACE OF THE BASE</b>	cmq	320	+/- 5
<b>TABS THICKNESS</b>	mm	2-3-4	+/- 0.2
<b>TABS HEIGHT</b>	mm	12	+/- 0.2
<b>SHORE</b>	Shore d	70	+/- 3
<b>SLOPE CORRECTION</b>	%	5	+/- 0-5
<b>FIRE REACTION*</b>	UNI-EN 13501-1:2009	CLASSE "E"	
<b>LOW T(°C) REACTION</b>	°C	-40	

\*Tests made by Giordano S.p.A. Institute of Bellaria-Igea Marina (RN)-Italy

# TECHNICAL DATA SHEET

## PEDESTAL PRIME

### ITEMS CHARACTERISTICS & PROPERTIES

<b>PR1_E502030065</b>	UNIT	VALUE	TOLERANCE
min HEIGHT	mm	30	+/- 1,0
MAX HEIGHT	mm	65	+/- 1,5
WEIGHT	kg	0.263	+/- 5 %

\*The code refers to BASE + SCREW + INTEGRATED EXTENSION.

PACK/STORAGE	
PIECES PER BOX	25
BOXES PER PALLET	54
BOX DIMENSION	39.5x39.5x25cm
BOX WEIGHT	8.25kg
PALLET /PZ PER PALLET	80x120cm / 1350

<b>PR2_E502060155</b>	UNIT	VALUE	TOLERANCE
min HEIGHT	mm	65	+/- 1,0
MAX HEIGHT	mm	155	+/- 1,5
WEIGHT	kg	0.465	+/- 5 %

\*The code refers to BASE + SCREW + INTEGRATED EXTENSION.

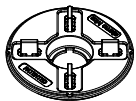
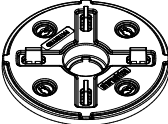
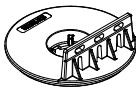
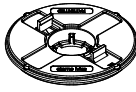
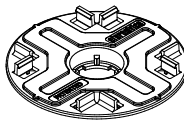
PACK/STORAGE	
PIECES PER BOX	25
BOXES PER PALLET	30
BOX DIMENSION	39.5x39.5x46cm
BOX WEIGHT	13kg
PALLET /PZ PER PALLET	80x120cm / 750

<b>PR3_E502150420</b>	UNIT	VALUE	TOLERANCE
min HEIGHT	mm	155	+/- 1,0
MAX HEIGHT	mm	420	+/- 1,5
WEIGHT	kg	0.920	+/- 5 %

\*The code refers to BASE + SCREW + INTEGRATED EXTENSION.

PACK/STORAGE	
PIECES PER BOX	12
BOXES PER PALLET	30
BOX DIMENSION	39.5x39.5x47cm
BOX WEIGHT	11.52kg
PALLET /PZ PER PALLET	80x120cm / 360

GREAT HEIGHTS COMPOSITION	SIZE	PIECES PER BOX
PR3 + 1 PPR extension	315-595 mm	12 PR3 + 12 PPR
PR3 + 2 PPR extension	415-770 mm	12 PR3 + 2 X 12 PPR
PR3 + 3 PPR extension	520-945 mm	12 PR3 + 3 X 12 PPR

HEAD	CODE	DESCRIPTION	SIZE	PIECES PER BOX
	E035101204	Two-component self-leveling head	Ø110mm fin thickness 4mm, height 12mm	200
	E035201204	Self-leveling two-component XL head*	Ø150mm fin thickness 4mm, height 12mm	100
	E035102530	Self-leveling head for decking	Ø110 mm	100
	E035100010	Two-component self-leveling head for aluminium joist	Ø110 mm	200
	E035203001	Two-component self-leveling cross head for aluminium joist	Ø130 mm	150

\*With XL head, height of all the PR range increases of 4 mm.

The packaging of the supports consists of cardboard boxes. The final packaging of the pallets is made with the wrapping of a polyethylene film. Indoor storage, protected from precipitation, is recommended.

### INSTALLATION METHOD

The product is laid dry, without the need for adhesives or other types of fixings.